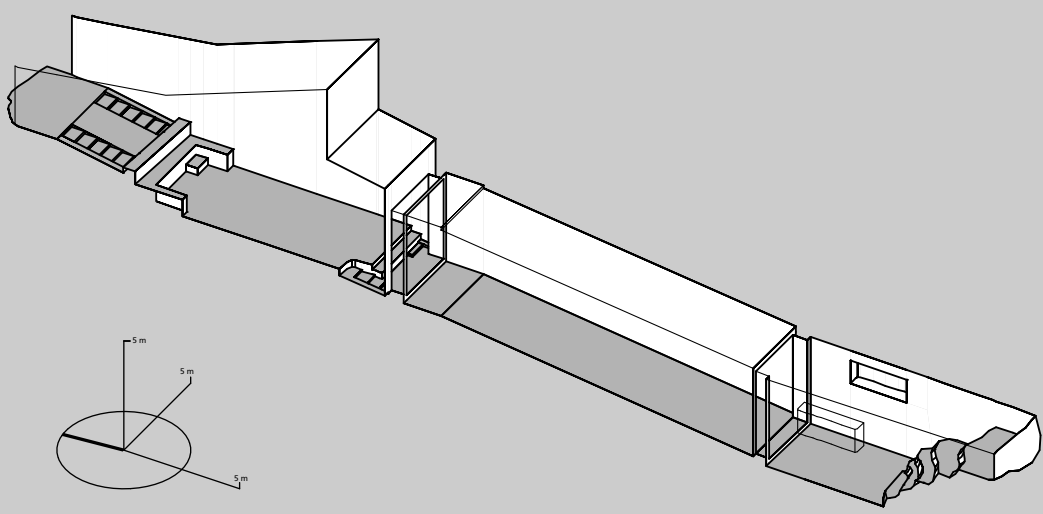
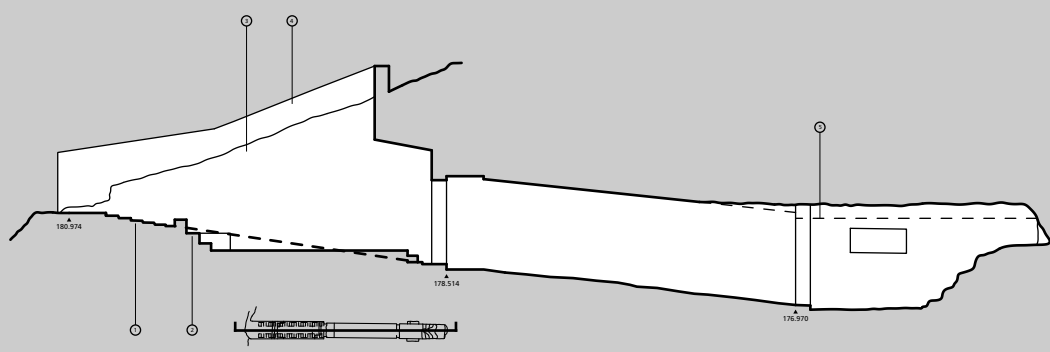
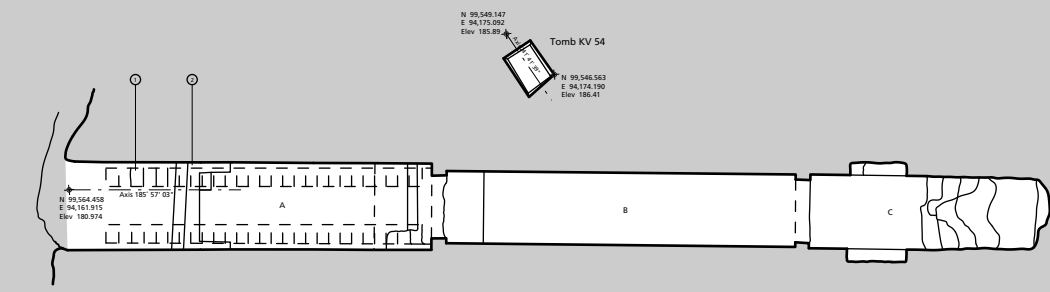
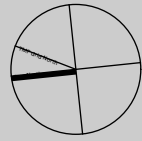
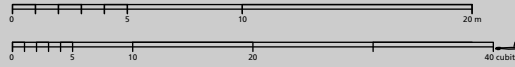



NOTES	
1	Original divided staircase, of which only a few steps remain.
2	Modern steps and floor built for housing power generator.
3	Original hillside.
4	Modern retaining wall.
5	Traces of original ceiling line; ceiling broken above.




Tudman Mapping Project
KV 18 - Ramesses X
KV 54 - ca. Tutankhamen
 Plan, section 1:125, Axonometric
 Courtesy: Mission Siphth-Kames X, Universitat Basel.
Dyn. XX
Dyn. XVIII
 Sheet 37/72 - KV 18, 54 (1/1)